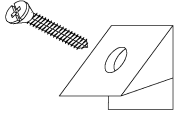
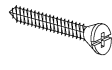
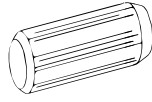
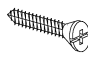
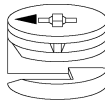



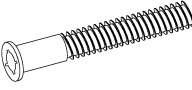
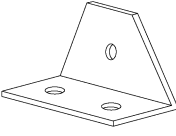
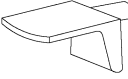
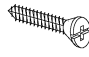
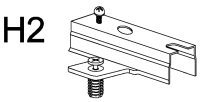
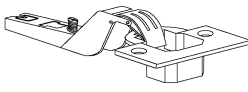
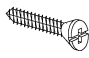
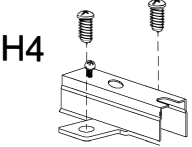
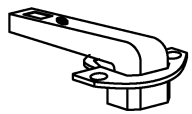
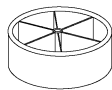
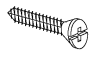
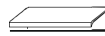


201502-05CF			
A		L x22	 4x30 mm. x5
B	 8x30 mm.	L2 x20	 4x16 mm. x12
C	 ∅15 mm.	L3 x10	 4x18 mm. x36
D		P x10	 x3
E	 7x60 mm.	P7 x2	 x12
		R	 x8

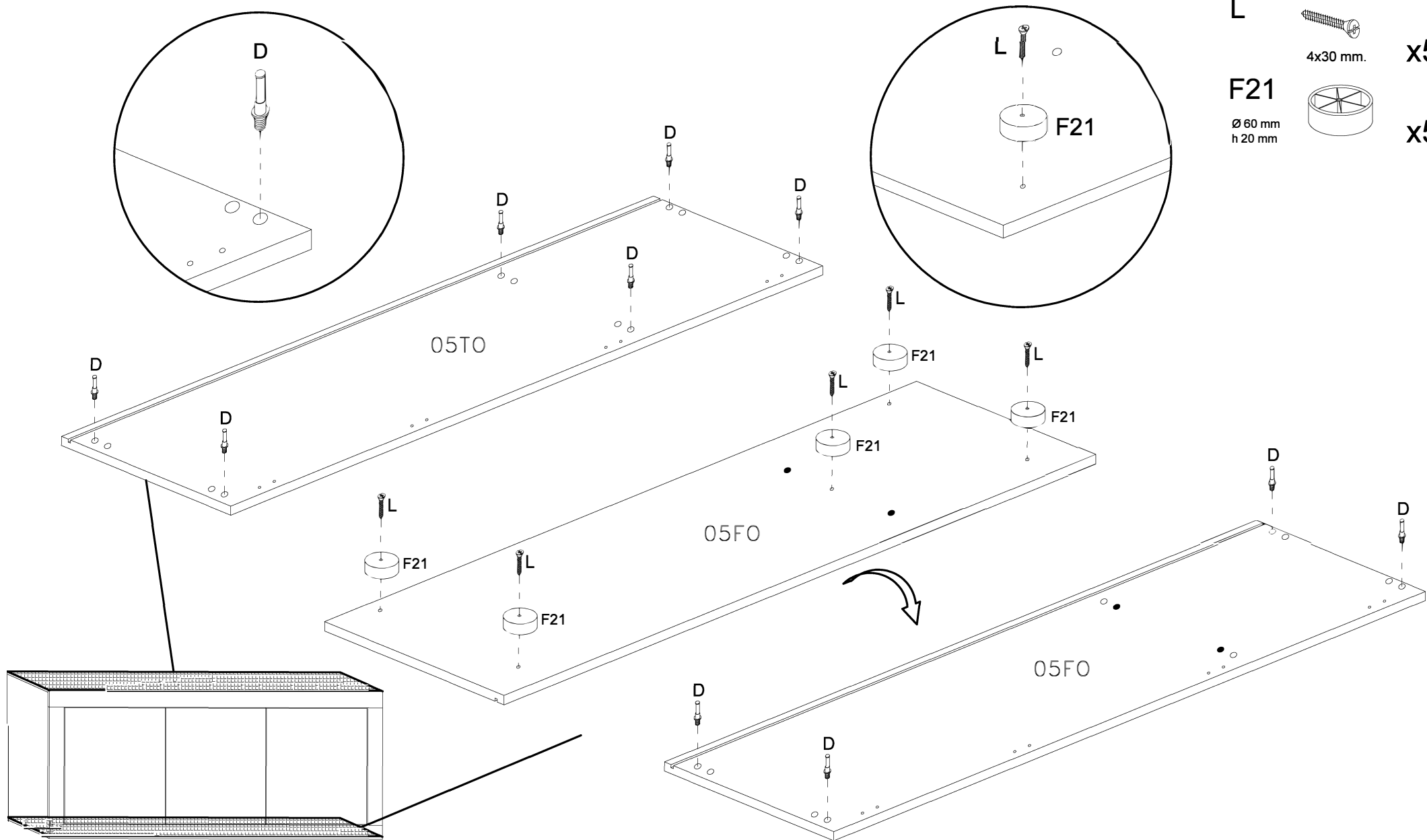
202606-05CC	
L2	 4x16 mm. x8
N	 H2 x2
O2	 x2

201502-07CC	
L2	 4x16 mm. x8
N1	 H4 x4
O1	 x4

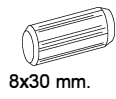
205124-06PIE	
F21	 ∅ 60 mm h 20 mm x5

509080-03CM	
M2	 3x16 mm. x6
S11	 x3

1



2

B

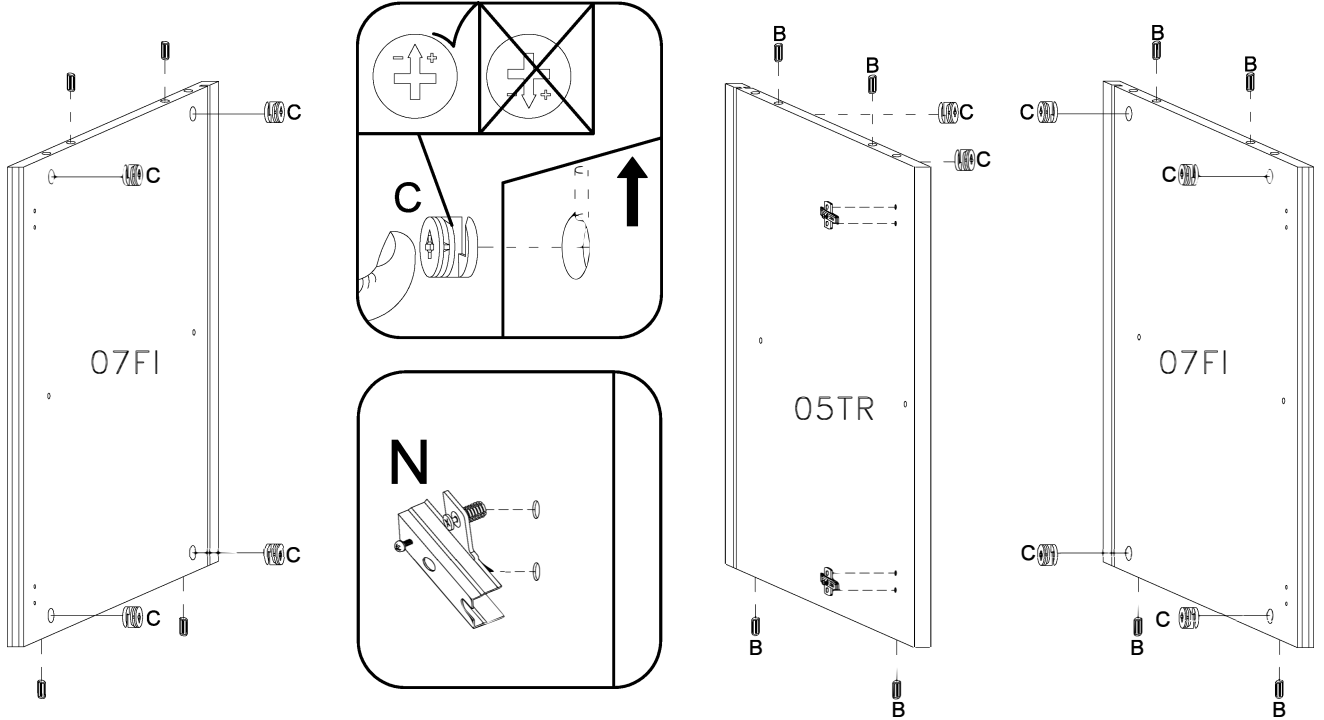
8x30 mm.

x12**C**

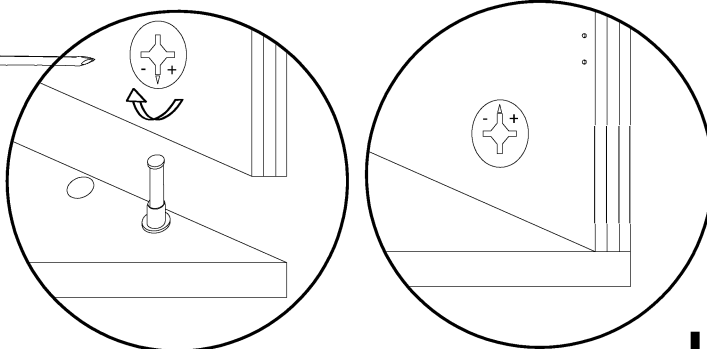
ø15 mm.

x10**N**

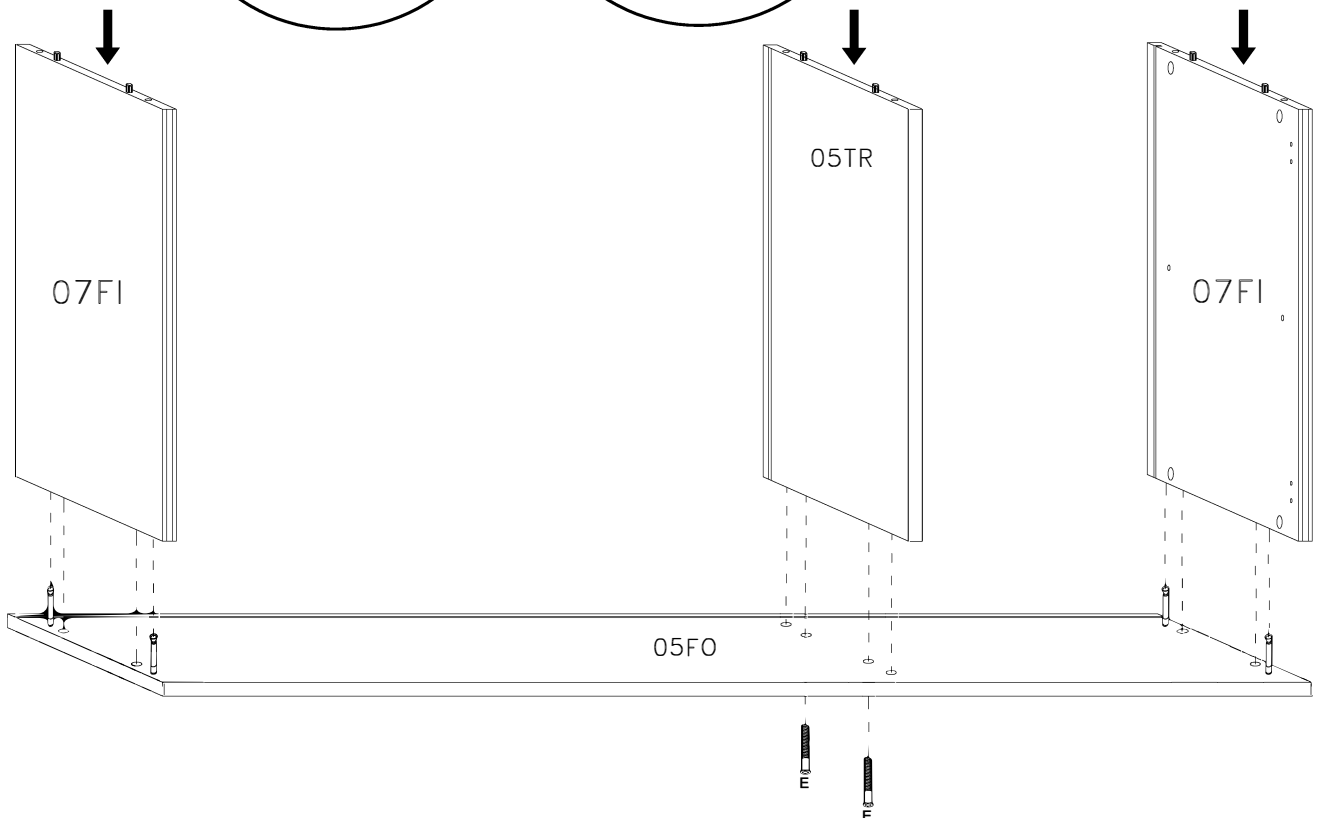
H2

**x2**

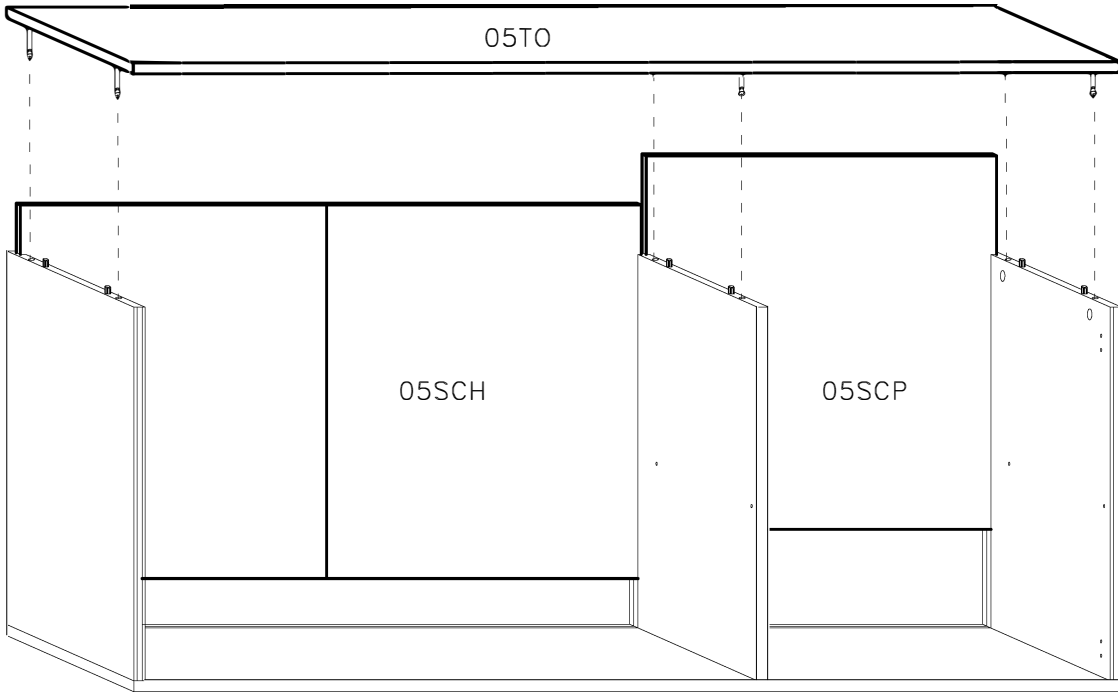
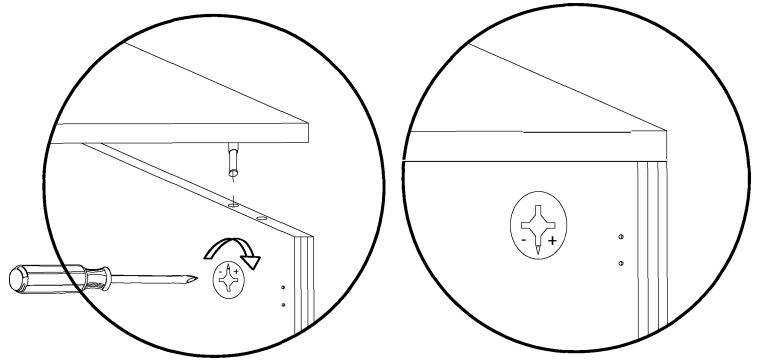
3

**E**

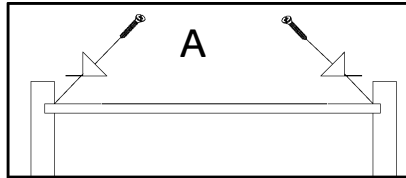
7x60 mm.

x2

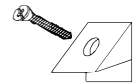
4



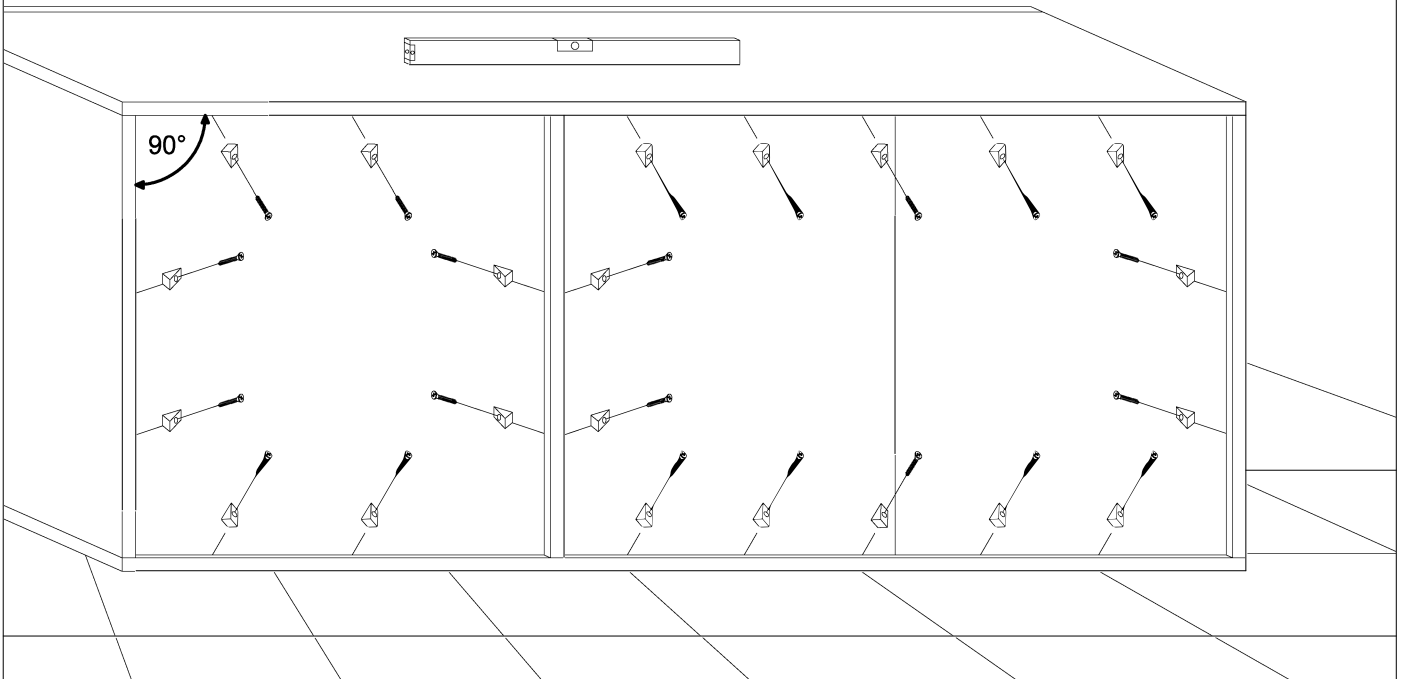
5



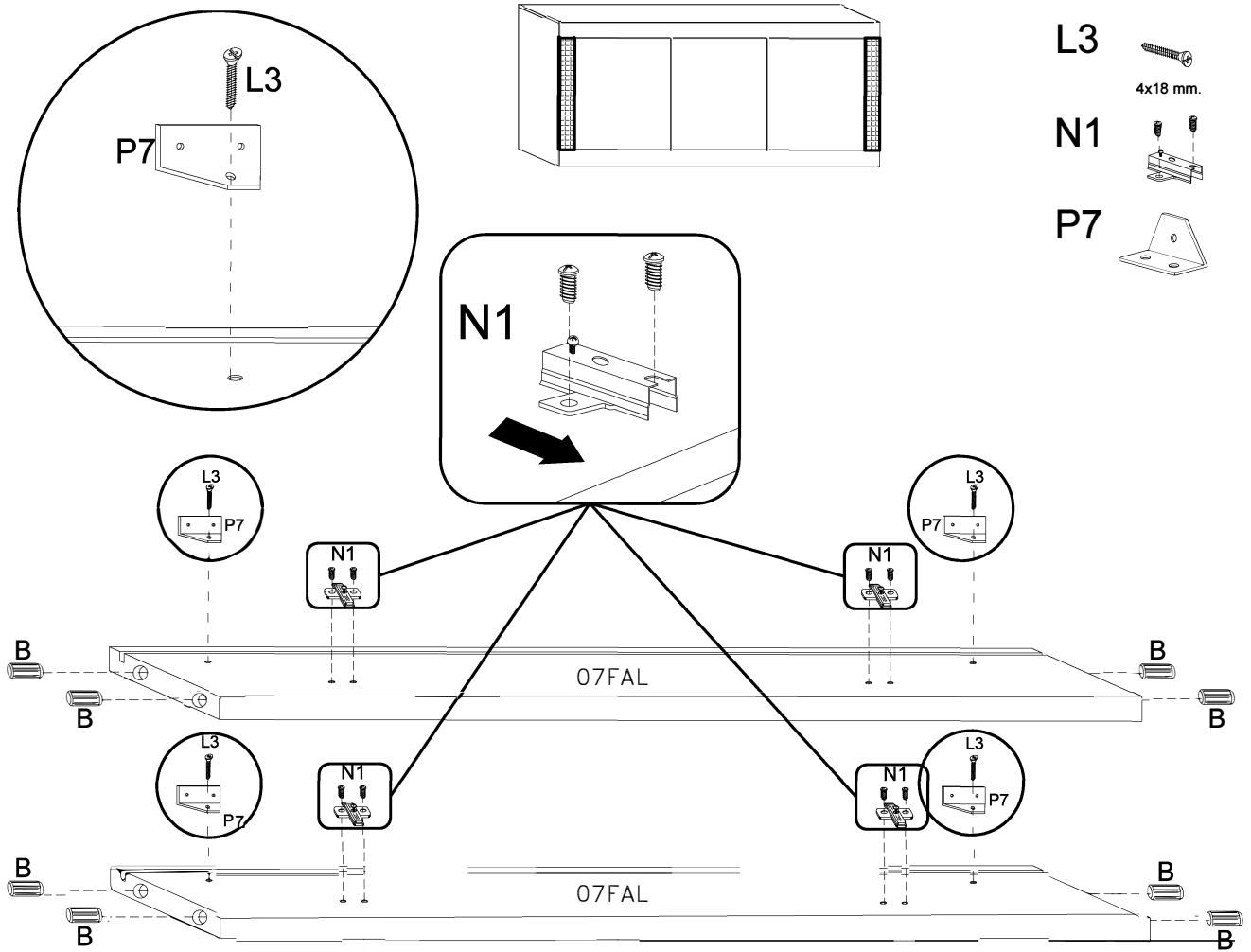
A

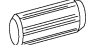

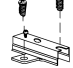
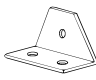


x22

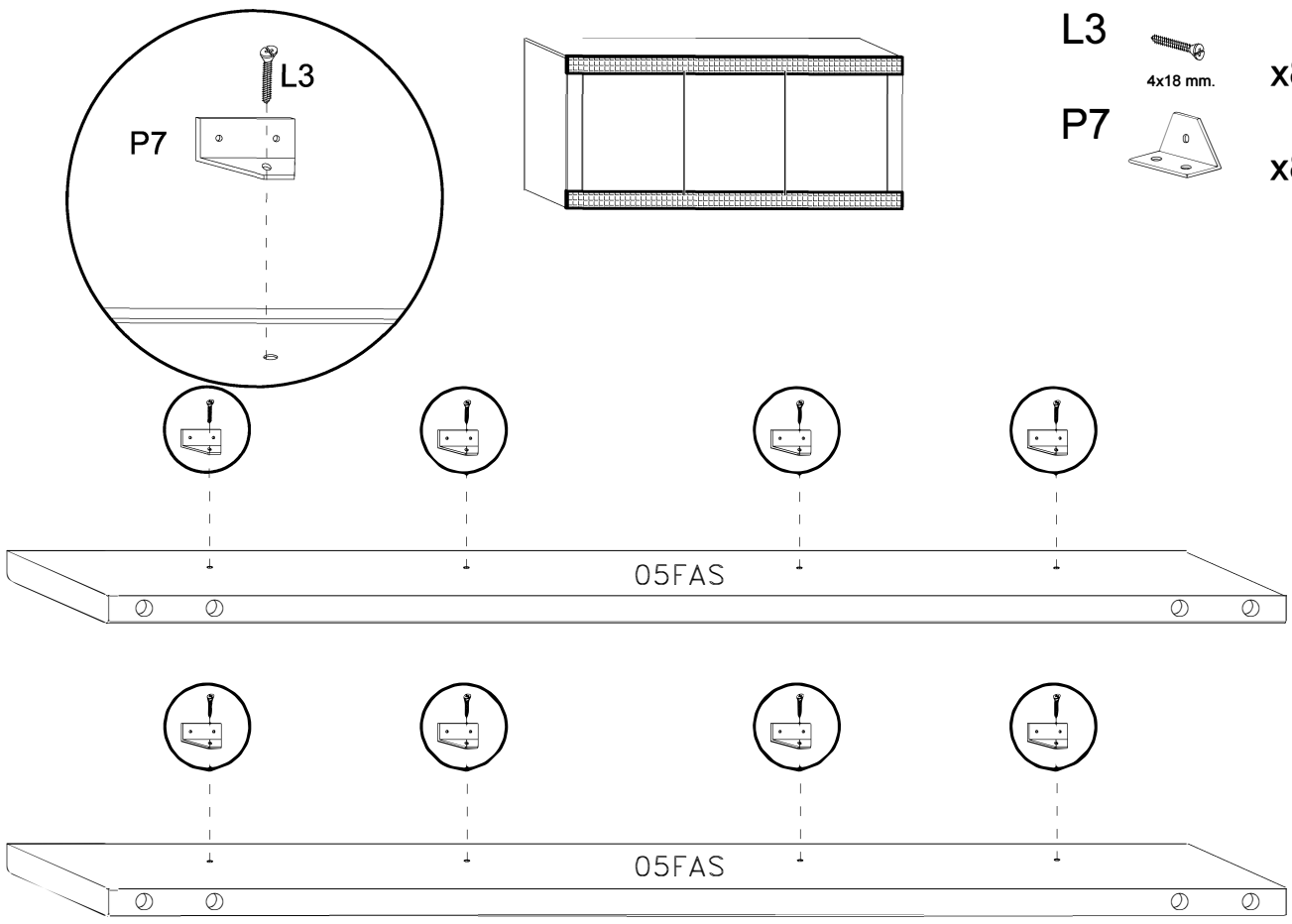



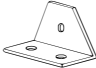
6



- B**  8x30 mm. x8
- L3**  4x18 mm. x4
- N1**  x4
- P7**  x4

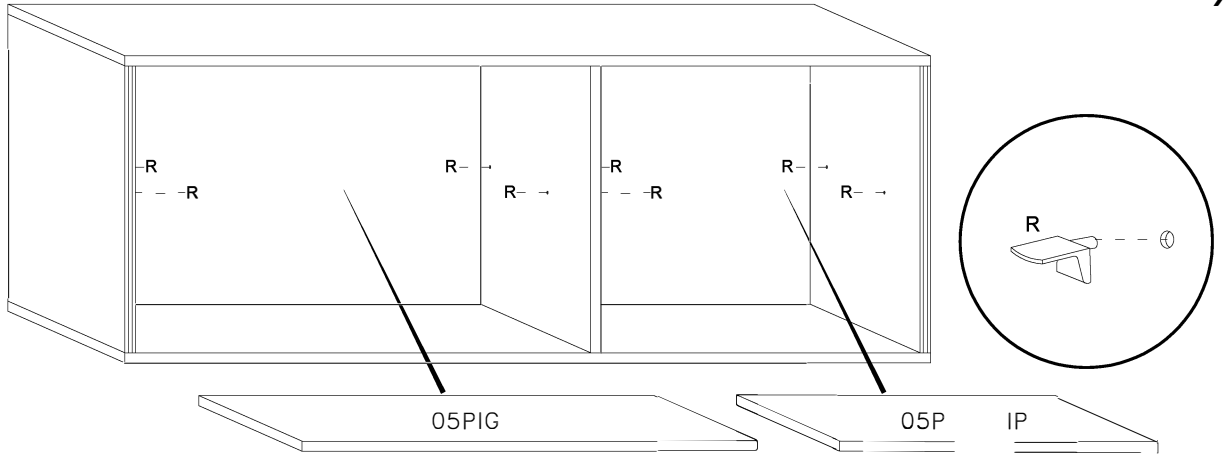
7



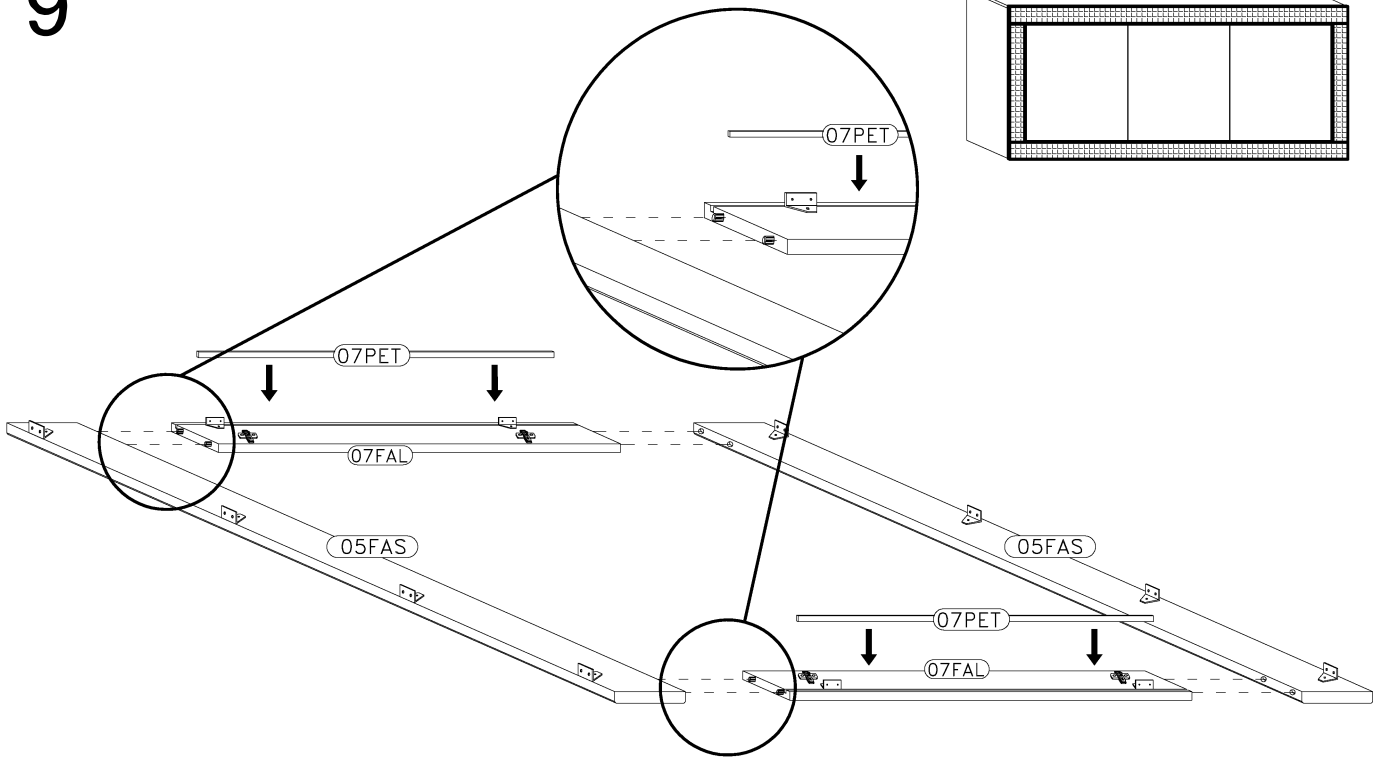
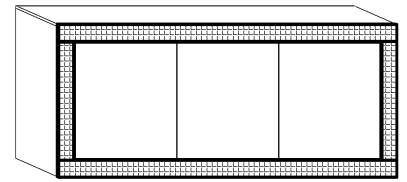
- L3**  4x18 mm. x8
- P7**  x8

8

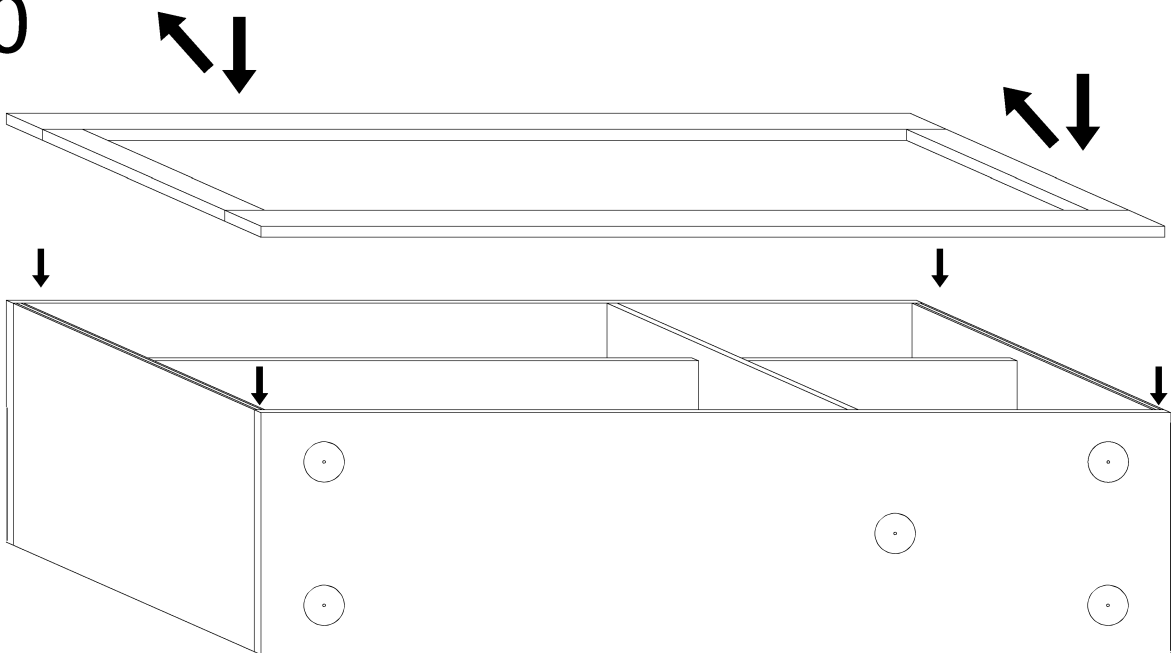
R  x8



9

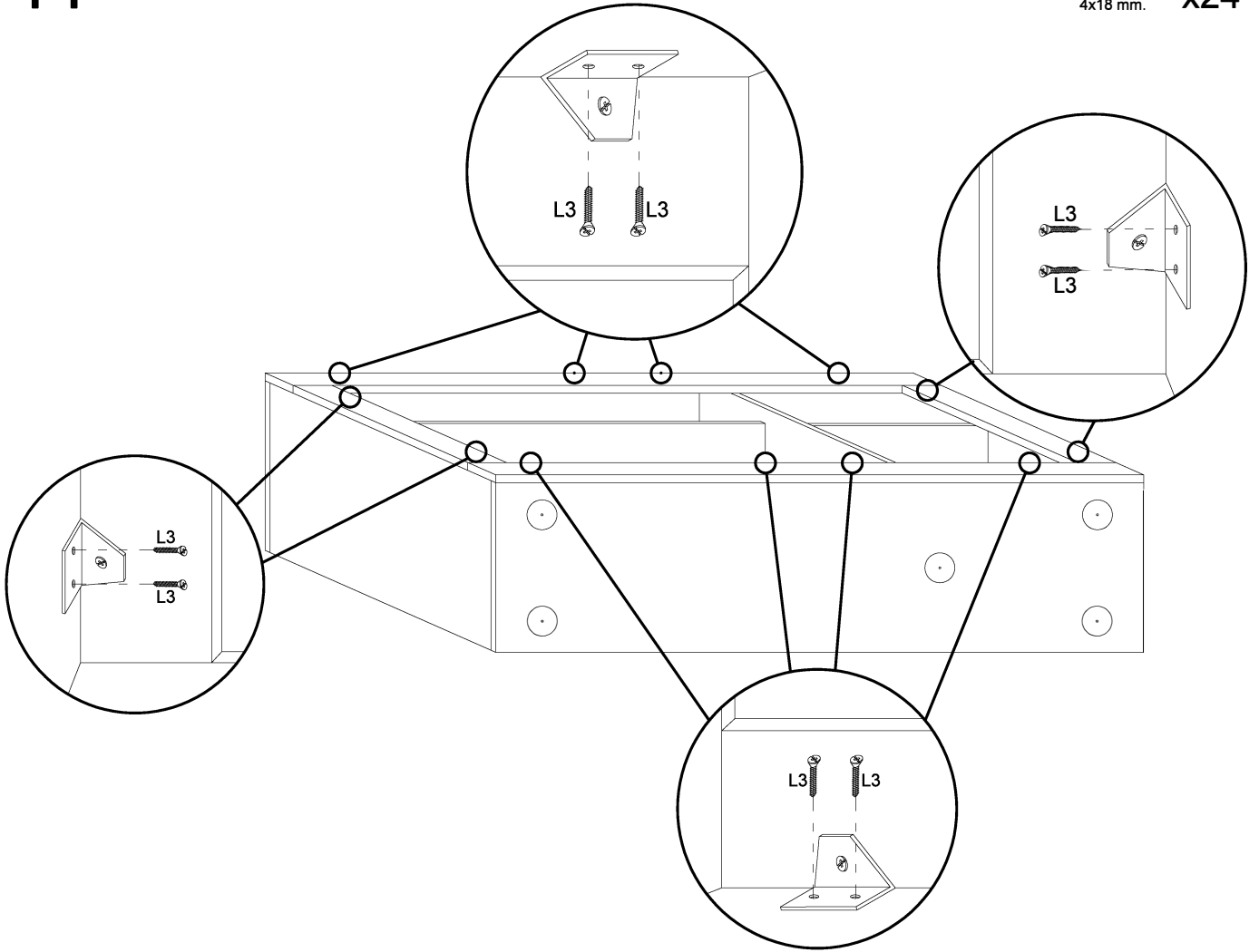


10



11

L3
4x18 mm. x24



12

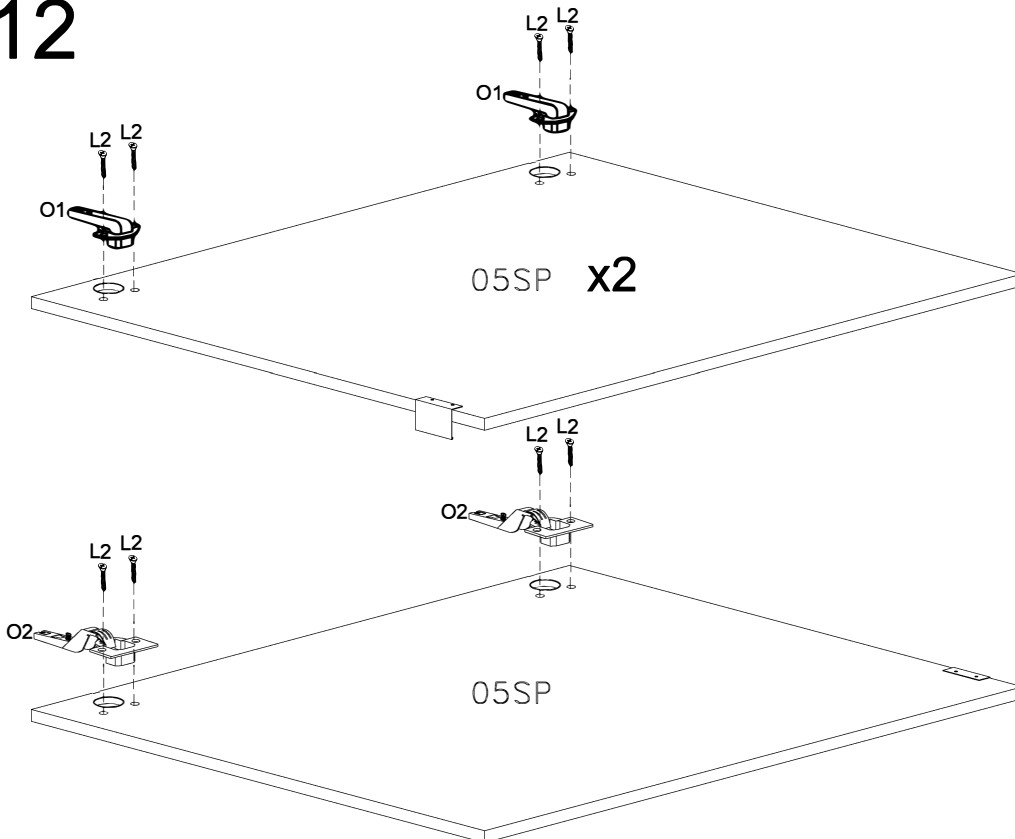
L2
4x16 mm. x12

O1
x4

O2
x2

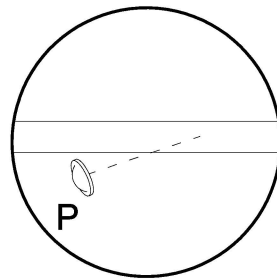
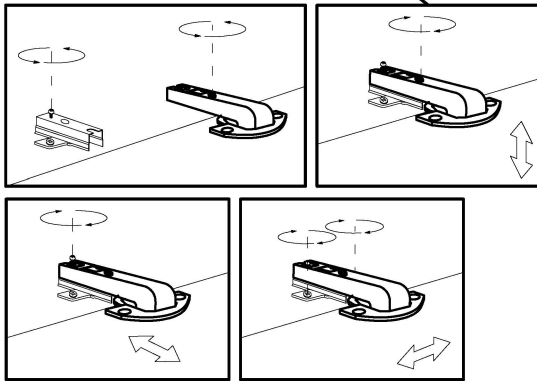
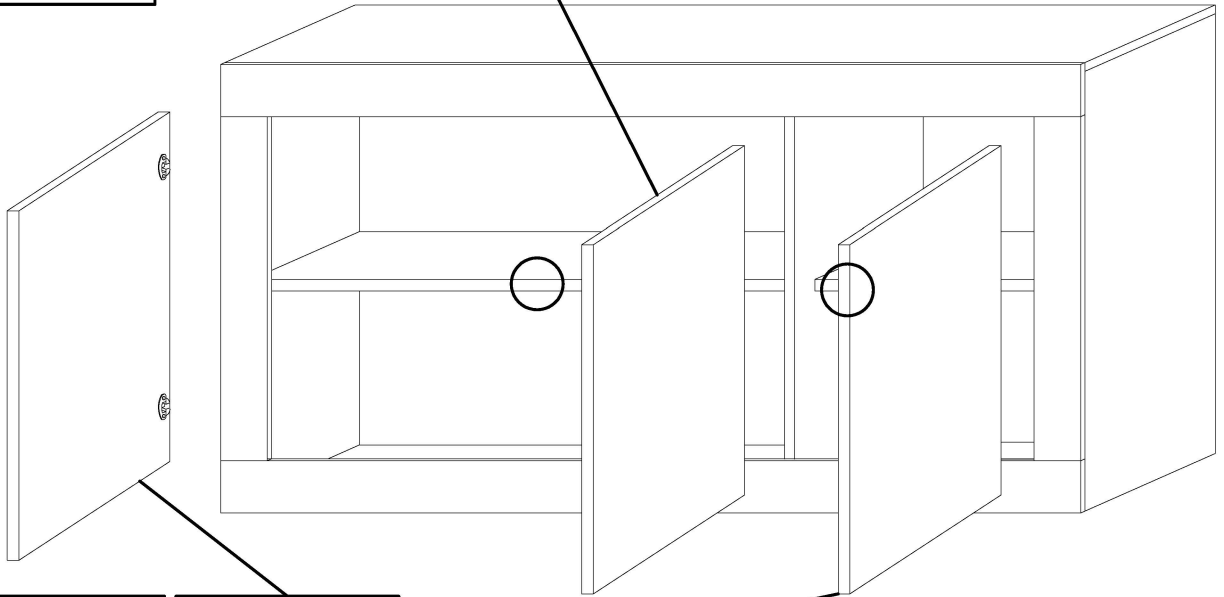
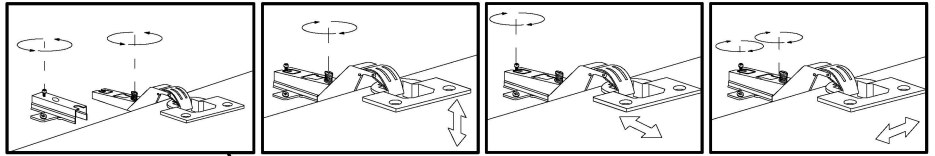
L2
4x16 mm. x6

S11
x3



13

P x3



MAX

